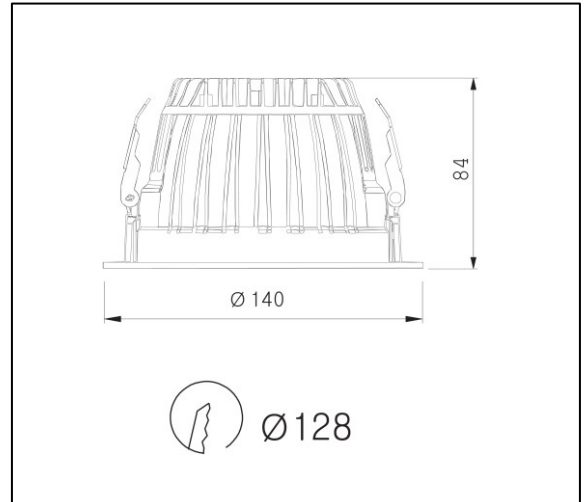


DGT Anti-glare Downlight MQ7384 17W Single Colour



MODEL	CS-DGT-MQ-7384-17W-3000K-26D CS-DGT-MQ-7384-17W-4000K-26D CS-DGT-MQ-7384-17W-5000K-26D	HOUSING COLOUR & MATERIAL	White, aluminum + PC diffuser
INPUT VOLTAGE (V)	220-240V AC	IP	20
POWER FACTOR (PF)	>0.8	AMBIENT TEMPERATURE (°C)	25°C
FLICKER FREE	Yes	OPERATING TEMPERATURE (°C)	-20 to +40°C
WATTAGE (W)	17 W	DIMMABLE	Yes
LUMEN OUTPUT (LM)	1377 (+/-10%) LM	INSTALLATION TYPE	Recessed
COLOUR TEMPERATURE	3000K / 4000K / 5000K	CUT-OUT (mm)	Ø128 (+/-5) mm
BEAM ANGLE (°)	26°	DIMENSION (mm)	Ø140 x H84 mm
CRI (Ra)	90	NET WEIGHT (kg)	0.40 kg
SDCM	5	LIFESPAN (hr.)	35,000 hrs.
UGR	19	WARRANTY (yr.)	5 yrs.
COMPLIANCE	SAA		