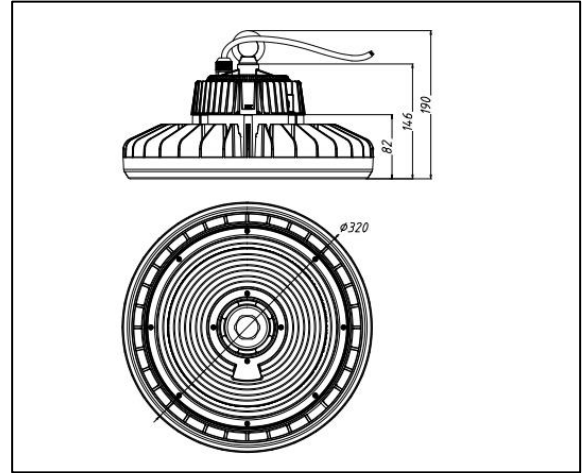


Future Highbay 100W 5000K 120D



MODEL	CS-FYT-HB09-100W-5000K-120D	HOUSING COLOUR	Black
INPUT VOLTAGE (V)	AC 100-277V	MATERIAL	Aluminum + PC lens
PROTECTION CALSS	Class I	IP	65
IC-4 RATED (Y/N)	No	IK	10
SPD (KV)	L-N: 4KV; L/N-GND: 6KV	AMBIENT TEMPERATURE (°C)	Ta 55°C
POWER FACTOR (PF)	>0.95	OPERATING TEMPERATURE (°C)	-30 to +55°C
WATTAGE (W)	100W	DIMMABLE (Y/N)	Yes
FLICKER FREE (Y/N)	Yes	DIMMING TYPE	1-10V
LUMEN OUTPUT (LM)	13,000LM	INSTALLATION TYPE	Suspension
EFFICACY (LM/W)	130LM/W	DIMENSION	Φ320*188 mm
COLOUR TEMPERATURE (K)	5000K	NET WEIGHT	3.8kg
BEAM ANGLE (°)	120°	LIFE SPAN	50,000hrs
CRI (Ra)	>80	WARRANTY	5 years
SDCM	<5	COMPLIANCE	SAA, RCM