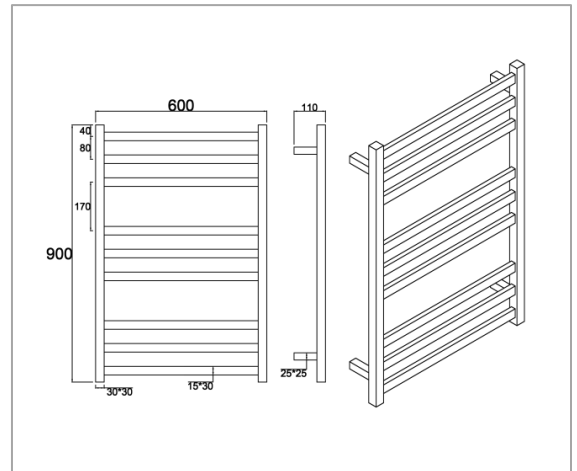


KG 9 Bars Electric Heated Towel Rack Square 900x600x110 KIT – Chrome / Gloss



MODEL	CS-KG-OND-9S-Chrome-KIT	IP	IP55
	CS-KG-OND-9S-Gloss-KIT	OPERATING TEMPERATURE (°C)	+42 to +55
INPUT VOLTAGE (V)	AC 220-240V	INSTALLATION TYPE	Surface mount
WATTAGE (W)	110W	DIMENSION (mm)	900 x 900 x 110 mm
HOUSING COLOUR	Chrome, Gloss	NET WEIGHT (kg)	4.0
MATERIAL	Stainless steel	COMPLIANCE	SAA, RCM

* KIT includes Jinhang Classic 250v 10A switch double GPO (JHE-CS315)