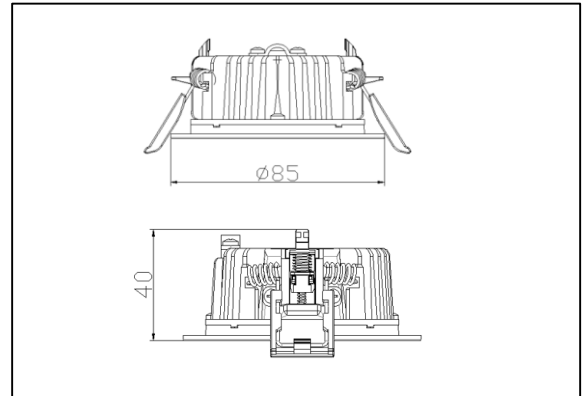


## OP 70mm DL 8W 3000K IP54 / OP 70mm DL 8W 3000K IP54



|                           |  |                                   |   |
|---------------------------|--|-----------------------------------|---|
| <b>MODEL</b>              | CS-OP-VA60085S-Y-3000K<br>CS-OP-VA60085S-Y-4000K | <b>FINISH &amp; MATERIAL</b>      | White + black; Die-cast aluminum housing with PS diffuser |
| <b>INPUT VOLTAGE (V)</b>  | AC 220-240V                                      | <b>IP</b>                         | IP54  |
| <b>PROTECTION CLASS</b>   | Class II   | <b>OPERATING TEMPERATURE (°C)</b> | -10°C to +40°C  |
| <b>SAFETY CLASS</b>       | IC-4   | <b>AMBIENT TEMPERATURE (°C)</b>   | Ta 25°C   |
| <b>POWER FACTOR (PF)</b>  | PF>0.9   | <b>DIMMABLE</b>                   | YES (using CS-OP-AU-PBD350VA or CS-OP-AU-RD350VA)         |
| <b>WATTAGE (W)</b>        | 8W   | <b>INSTALLATION TYPE</b>          | Recessed  |
| <b>LUMEN OUTPUT (LM)</b>  | 560 LM @3000K<br>600 LM @4000K                   | <b>DIMENSION (mm)</b>             | Ø85 x H40 mm  |
| <b>EFFICACY (LM/W)</b>    | 70~75 LM/W                                       | <b>CUT-OUT (mm)</b>               | Ø70 mm  |
| <b>COLOUR TEMPERATURE</b> | 3000K / 4000K                                    | <b>NET WEIGHT (kg)</b>            | 0.3 kg  |
| <b>BEAM ANGLE (°)</b>     | 90°  | <b>LIFESPAN (hr.)</b>             | 40,000 hr.  |
| <b>CRI (Ra)</b>           | >90  | <b>WARRANTY (yr.)</b>             | 5 yr.   |
| <b>SDCM</b>               | <5   | <b>COMPLIANCE</b>                 | SAA   |